



*Simple*®

Instructions for assembly and use



## Simple S

Modern version of the iconic Simple M model. Just as elegant and concise, but even more practical, convenient and efficient. We took all the best from the previous version and added some modern features, while getting a completely new hookah, which at the same time is well known to the whole world.



*Simple*®

All MattPear hookahs have a **unique serial number** that makes each item special and unique. Thanks to this engraving, it is easy to find out the sequence production number of a particular MattPear hookah.



## Set of **Simple S**

### 1 - Shaft cone

The shaft cone has a standard form and makes it possible to use any bowl: both ceramic and silicone. It may be replaced with the Killer M molasses catcher with 16x1 thread. It will ensure the purity of the shaft and the water in the flask for a long time and reduce labor costs for servicing the hookah.

### 2 - Quick-release saucer

The corrugation on the saucer prevents the extinction of coal from bottom.

### 3 - Cone under the saucer (lapping)

A simple and reliable part ensuring the removal of the saucer assembled with a bowl cone/molasses catcher and cup in one motion.

### 4 - All-welded shaft

It is made of stainless steel with a high quality polyacetal cover and includes a vertical blowdown jet (4.1).

### 5 - Hookah base

The base is made from high quality polyacetal and may be used with both threaded and joint flasks of standard diameter. 5.1 - thread for connection with the flask.

### 6 - MattPear Port

Magnetic port that ensures the connection of the hose connector (6.1) to the base of the hookah. Patented MattPear technology.

### 7 - Dip tube

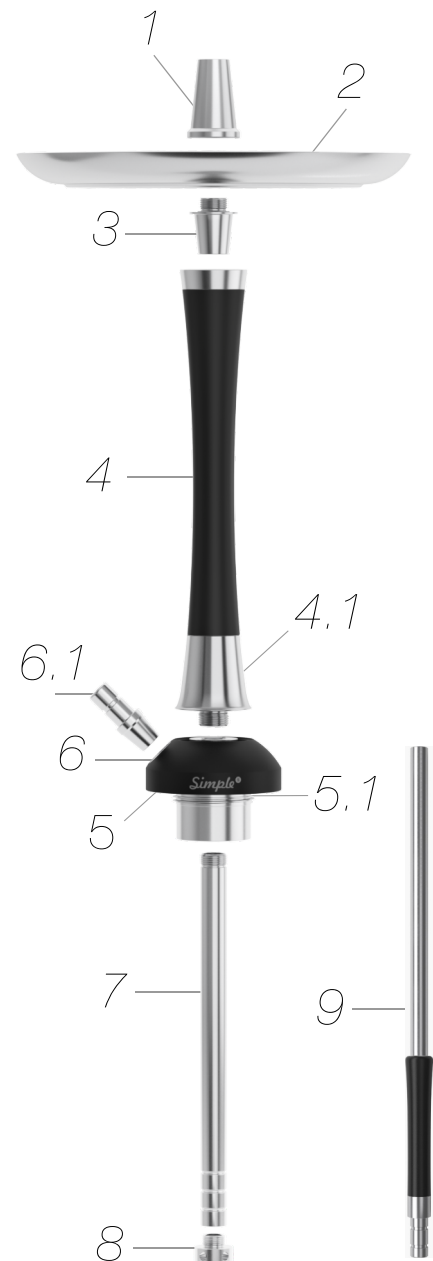
It is made from precision tube used in the nuclear and space industry. Special scores on the tube are a convenient reference point for choosing the optimal water level in the flask.

### 8 - Removable diffuser

It softens the draft when smoking due to the division of flow of air passing into fractions. Included in the Simple S set.

**9 - Disassembled mouthpiece** made of stainless steel with an anatomical polyacetal cover.

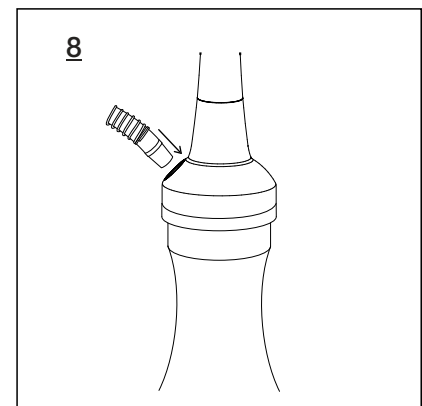
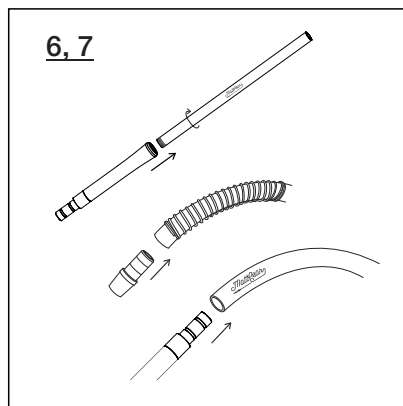
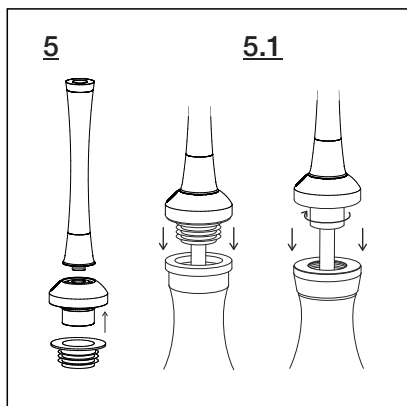
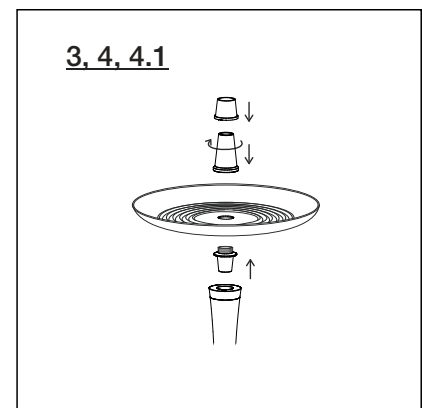
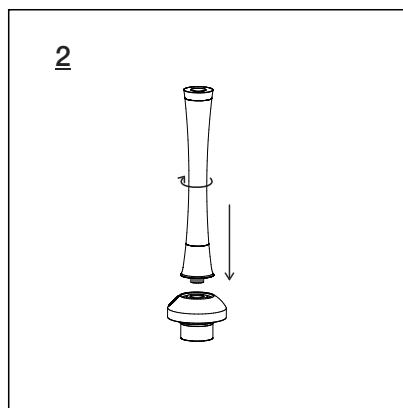
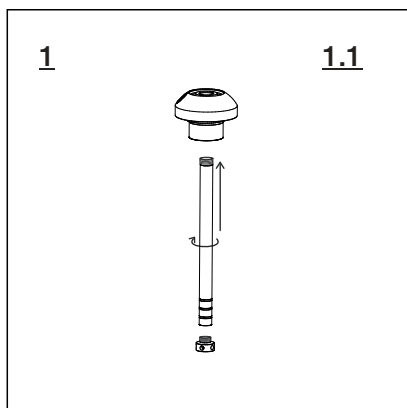
«**Obedient**» hose with a spring and SoftTouch coating will also please the owner of Simple S. We have balanced the stiffness, weight and diameters of the hose and mouthpiece so that our hose, which is soft and pleasant to the touch, may be easily controlled by a convenient mouthpiece.



# Assembly instructions



1. Screw the dip tube into the bottom hole of the base.
  - 1.1. Screw the diffuser into the bottom opening of the tube (if you want to make the draft softer).
2. Screw the shaft together with vertical blowdown jet into the top hole of the base.
3. Put the saucer on the lapping cone and fix it by screwing the cone of the bowl on top.
4. Put the quick-release saucer on the hookah shaft.
  - 4.1. Put the bowl seal on the cone.
5. If the flask is sealed, put the seal on the base and then insert the shaft into the flask until it is secure.
  - 5.1. If the flask is threaded, screw the base into the neck of the flask until it stops.
6. Assemble the mouthpiece by screwing the top part into the base.
7. Put one end of the hose on the mouthpiece and insert the connector into the other end of the hose with a spring. After connecting the hose to the connector, it is required to tighten the spring to it with twisting movements.
8. Insert the hose connector into the base port.



## Attention!

- **Do not apply force when connecting the parts!**

All threaded connections of your hookah are inspected during the production process. They should move without any effort. You need to make sure that the parts are aligned correctly.

- Prior to its first use, it is required to rinse the equipment under running water and check that there are no metal chips inside the parts.
- Make sure the ports in the base are tight.





# Recommendations for use

- After each use wash the hookah with clean running water and wipe it dry with a soft cloth.
- Check the reaction of the metal on a small inconspicuous area before using alkaline and acid cleaners.
- Do not use abrasive cleaners to clean the hookah.
- Do not wash the rubber parts of the hookah in the dishwasher.

## **For ensuring the long-term magnet performance:**

- Once a week/month (depending on the frequency of use) disassemble the ports, remove all magnets, wash the parts and be sure to dry them prior to the reassembly of the ports.
- Do not remove magnets unnecessarily.
- Prevent the magnets from slamming violently in order to avoid cracking.
- Do not scratch magnets with sharp objects.

## **For ensuring the long-term performance of threaded connections:**

- Once a week/month (depending on the frequency of use) completely disassemble the hookah, wash all threaded connections and be sure to dry them prior to the reassembly of the hookah.

## **For ensuring the long-term use of the cover on the shaft:**

- Arrange coal only on the corrugated surface of the saucer. Otherwise, polyacetal may melt from the heat transmitted from the flat surface of the saucer.

## **For preserving jewelry enamel on the base of Simple S White:**

- Do not use detergents or rough cloths when washing the base. Black jewelry enamel is applied over the branded engraving on the base of Simple S White. The engraving itself cannot be damaged by mechanical stress, but the jewelry coating may wear and tear if not handled properly.

## **For maintaining the integrity of the hose:**

- Do not disconnect the hose from the mouthpiece unnecessarily. Put the hose on the mouthpiece carefully to avoid cracking the hose.
- Do not intentionally twist the hose.
- Keep the hose out of direct sunlight to avoid melting the silicone material.

Any hose is a consumable. Porous silicone may clog and absorb odors. Thus, in order to ensure the most convenient smoking, we recommend changing the hose every six months.



## Warranty

- Warranty period for Simple S is 1 year.
- Warranty does not cover any mechanical damages and natural wear and tear.
- Upon confirmation of a warranty case the supply of the product will be performed at the expense of the manufacturer to the carrier's branch nearest to you.
- Contact our technical support team for filling a warranty claim by visiting the official website ([mattpear.co](http://mattpear.co)) or via e-mail address ([support@mattpear.co](mailto:support@mattpear.co)).
- Beginning of the warranty period is the date of purchase of the product only if the seller fills in the appropriate fields of the warranty card. Otherwise, the warranty period should be determined from the date of assembly of the product specified by the manufacturer.
- Appeals regarding an incomplete set of the hookah are to be accepted within 14 days from the date of purchase.



Our accessories that  
you may find useful



### **Killer M**

molasses catcher



### **Persona**

Individual mouth tip



### **Kolodka**

heat management device

---

Thank you for your trust in our products -  
it means a lot to us!

**Let us know if you need anything!**

+7 (861) 205-10-95 | [hello@mattpear.store](mailto:hello@mattpear.store) | [mattpear.store](https://mattpear.store) | [@mattpear.store](https://www.instagram.com/mattpear.store)