



Ready[®]

Hookah assembly and operation manual



Ready S -

is the latest model in the MattPear line. New design choices have allowed us to make this the most comfortable, ergonomic and affordable hookah in the MattPear line. We're sure you'll appreciate it!!



Ready^S

All MattPear hookahs carry a unique serial number on the base, which makes each one special and unique. This engraving tells you the number of each MattPear hookah in order of manufacture.

* The appearance of the lower part of the composite stem may vary, depending on the design chosen.



What is **Ready S** made of? | 100% stainless steel

1 – Bowl stem

Two configurations are available: with a bowl stem or with the MattPear Killer M molasses catcher instead of the bowl stem. Both are suitable for all bowl types.

2 - Tray

The knurling on the tray prevents the charcoal from dying out from below.

3 – Composite stem

Made from precision pipe used in the nuclear and aerospace industries. It can be disassembled into two pieces for easy storage and transport.

4 - Base of the hookah

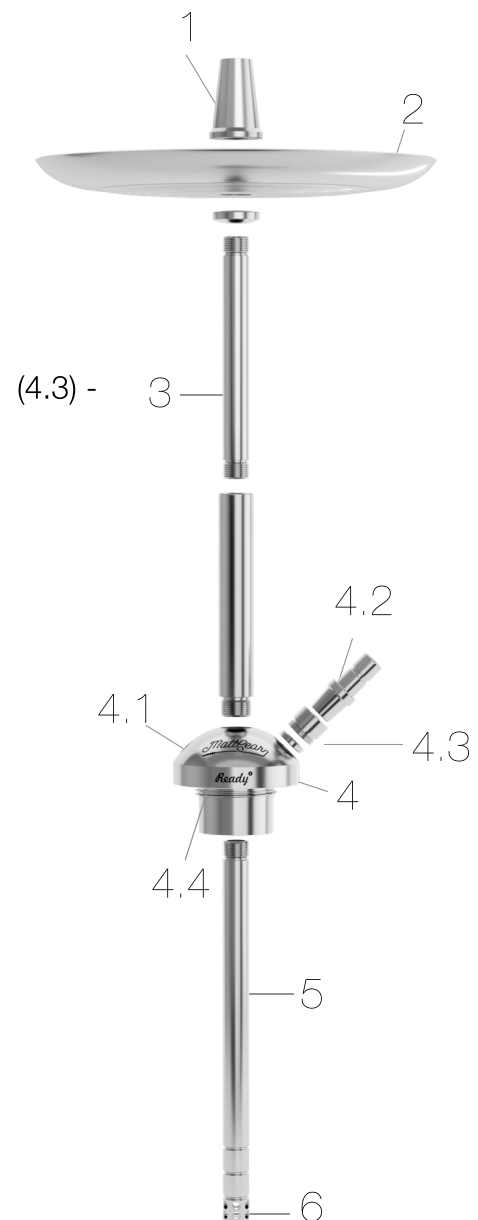
Includes integrated air purge valve (4.1) and hose connector (4.2) with MattPear Port magnetic coupling (4.3) - our company's patented technology. (4.4 thread for vase connection.)

5 - Downstem

Made from precision pipe used in the nuclear and aerospace industries. Special markings on the tube are an easy way to check the water level in the vase.

6 - DiffuserPart of downstem

Makes the smoking experience smoother by fragmenting the air fractions.

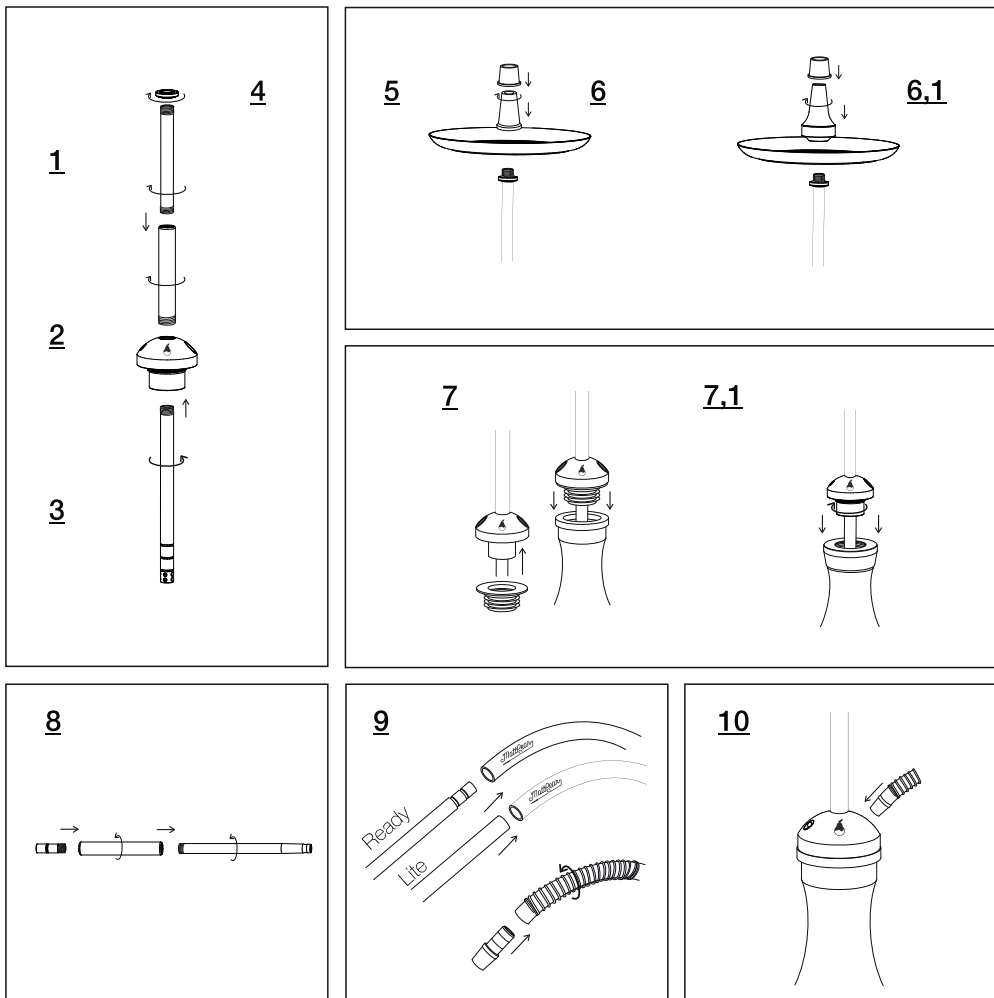


Our **“obedient” hose** with SoftTouch coating will also delight the owner of the Classic M. We have balanced the stiffness, weight and diameters of the hose and mouth tip so that our soft and soft to touch hose is easy to manipulate with the mouth tip.



Simple M Assembly instructions

1. Connect the two parts of the composite stem together. The appearance of the bottom part of the composite shaft may vary, depending on the design chosen.
2. Screw the stem into the upper hole of the base.
3. Screw the downstem into the lower hole of the base.
4. Screw the washer onto the top of the stem with the convex side facing down.
5. Install the tray on top of the stem.
6. If fitted with a bowl stem, screw it in, securing the tray. Place the gasket on.
- 6.1 If fitted with the molasses catcher, screw in the molasses catcher by securing the tray. Put on the seal.
7. If the vase has the gasket, put the gasket on the base and then insert the hookah into the vase all the way.
- 7.1. If the vase is threaded, screw the base into the neck of the vase all the way.
8. When delivered with the composite Ready mouth tip, connect the three parts of the mouth tip.
9. Push one end of the hose onto the Ready/Lite mouth tip and insert the connector into the other end of the hose with the spring. After you have connected the hose to the connector, tighten the spring to the end of the hose with a twisting motion
10. Insert the connector with the hose into the port of the hookah base.



PLEASE NOTE!

- Do not apply any force when connecting the parts! All threaded joints in your hookah are tested at the factory - they must fit together smoothly. Make sure that the parts are aligned correctly before tightening. If parts don't fit, even if they are precisely aligned, contact our customer service.
- Before using the hookah for the first time, wash it under running water and make sure that there are no metal chips inside the components.
- Make sure that the ports in the base are screwed all the way in.



Operating tips

- After each use wash the hookah with clean running water and wipe it dry with a soft cloth.
- Test the reaction of the metal on a small discreet area before using alkaline and acidic cleaning agents.
- Do not use abrasive detergents to clean the hookah.
- Do not wash the rubber parts of the hookah in the dishwasher.
- Do not place coals on the tray so that they are close to the bowl stem, as the sealing may be melted by the heat.
- Do not leave coals on the saucer for a long time after using the hookah.
- Some coals emit large amounts of carbon monoxide during the smouldering period, so if low quality coals are used and they are exposed to the metal for long periods of time, stains may remain on the surface of the tray.

For long-term operation of the magnets:

- Once a week/month (depending on intensity of use) disassemble the ports, remove the magnets, wash the parts and be sure to dry them before reassembly.
- Do not remove the magnets unnecessarily.
- Do not allow strong impact on the magnets to avoid cracking.
- Do not scratch the magnets with sharp objects.
- Wash the ports one by one.

For long-term operation of the threaded connections:

- Once a week/month (depending on the intensity of use), completely disassemble the hookah, wash all threaded connections and be sure to dry them before reassembling.

To maintain the integrity of the hose:

- Do not detach the hose from the mouth tip and connector unnecessarily.
- Put the hose gently onto the mouth tip to prevent the hose from cracking.
- Do not intentionally bend the hose.
- Do not leave the hose in direct sunlight to prevent the silicone from melting.

All hoses are consumables.

The porous silicone can become clogged and absorb odors, so for a more comfortable smoking experience we recommend replacing the hose every six months/year depending on the intensity of use.



Configuration options of Ready S

Two configuration options to choose from

Ready S lite

(Bowl stem, hose, Lite mouth tip)

Ready S PRO

(Killer M molasses catcher instead of bowl stem, hose, Ready mouth tip)

Warranty

- The warranty period for the Ready S model is 5 years.
- The warranty does not cover mechanical damage or natural wear and tear.
- Delivery is provided at the manufacturer's expense to the carrier nearest to you, provided that a warranty claim has been acknowledged.
- To submit a warranty claim, contact the technical support at mattpear.co or email support@mattpear.co.
- The warranty period starts from the date of purchasing the product only if the seller has filled in the relevant fields of the warranty certificate.
- Otherwise the warranty period starts from the date of assembly indicated by the manufacturer.
- Complaints regarding missing parts of the hookah are accepted within 14 days from the date of purchase.

Our accessories that
you may find useful

   
mattpearco



Killer M

molasses catcher



Persona

Individual mouth tip



Kolodka

Heat management device

Thank you for your trust in our products -
it means a lot to us!

Let us know if you need anything!

+7(861) 205-10-95 | support@mattpear.co | mattpear.co