



Mini®

Hookah assembly and operation manual



Mini S

Is a surprisingly practical model. It is the choice of those who appreciate hookahs and value comfort. We're sure you'll be captivated by its compact size and ease of use.



Mini^S

All MattPear hookahs carry a unique serial number on the base, which makes each one special and unique. This engraving tells you the number of each MattPear hookah in order of manufacture.



What is Mini S made of?

1 - Bowl adapter

The standard shape allows the use of all types of bowls: ceramic as well as silicone.

Can be changed to molasses catcher Killer M 16x1.

It allows you to save your hookah and vase clean and reduce labor costs for hookah maintenance.

2 - Quick-release saucer

The knurling on the tray prevents the charcoal from dying out from below.

3 - Lower lapping cone

A simple and reliable element that allows you to remove saucers with bowl adapter/molasses catcher and with a cup in one motion.

4 - Stem

Made from a solid metal bar.

5 - Base of the hookah

Entirely made of stainless steel. Contains two internal threads for connecting the upper stem and downstem to the base. Compatible with both threaded and buttjoints flasks of standard diameter (non Mini vases).

5.1-thread for connecting with a flask.

6 - MattPear Port

Magnetic ports which connect the hose connector (6.1) to the hookah base. Patented MattPear technology.

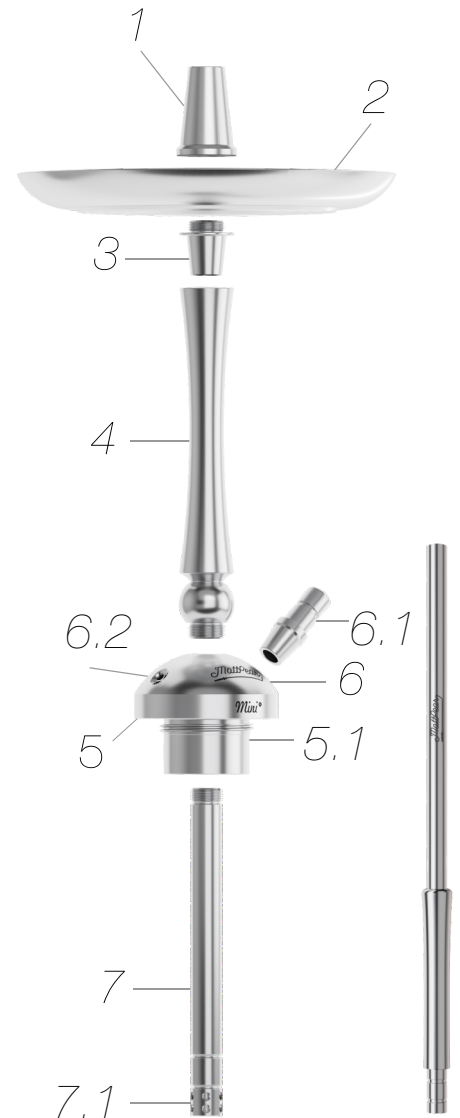
6.2 - comfortable to maintain built-in purge valve.

7 - Deep tube

Made from precision pipe used in the nuclear and aerospace industries. Special markings on the tube are an easy way to check the water level in the vase. 7.1 - built-in diffuser, that makes the smoking experience smoother and more comfortable.

The Mini S stem may be sold with branded seal or threaded flask or without it. Branded flask made from high-quality glass. It is produced in Russia by MattPear request.

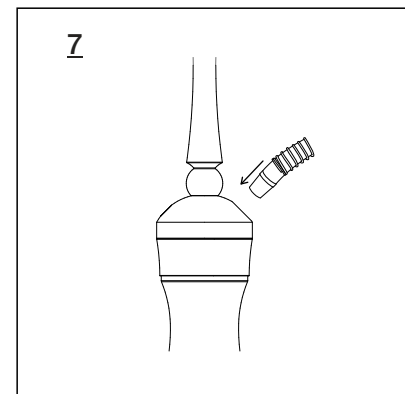
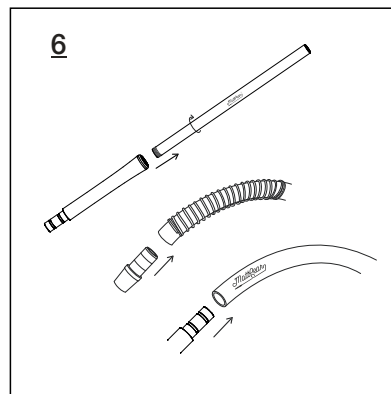
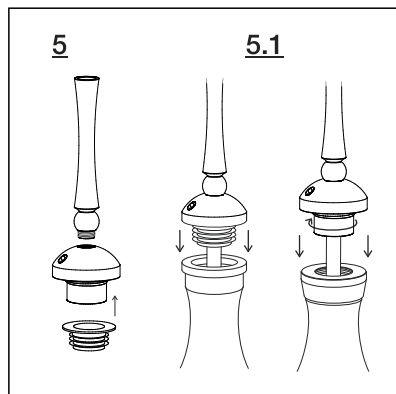
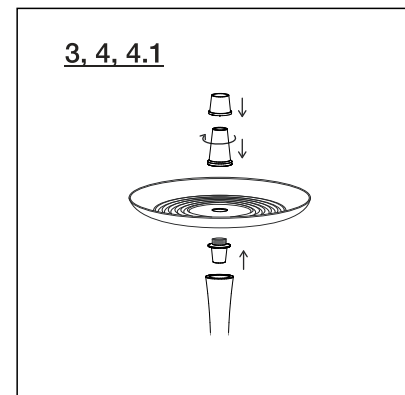
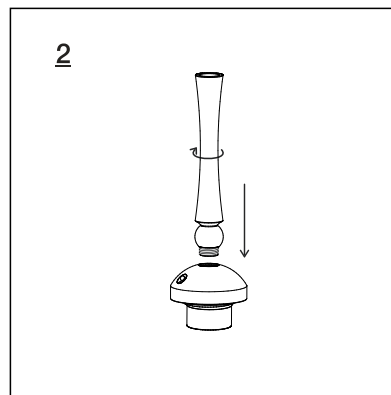
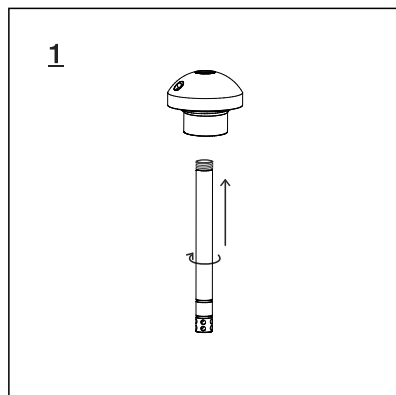
Our "obedient" hose with SoftTouch coating will also delight the owner of the Mini S. We have balanced the stiffness, weight and diameters of the hose and mouth tip so that our soft and soft to touch hose is easy to manipulate with the mouth tip.





Mini S assembly instructions

1. Screw the downstem into the lower hole of the base.
2. Screw the upper stem into the upper hole in the base.
3. Put the saucer on the lower lapping cone and fix it by screwing with the bowl adapter.
4. Put the assembled saucer on the composite stem.
- 4.1. Push the bowl grommet onto the bowl adapter.
5. If you have a common flask, slide the seal for flask onto the base and then insert the hookah into the vase all the way in.
- 5.1. If you have a threaded flask, screw the base into the vase all the way in.
6. Push one end of the hose onto the mouthpiece and insert the connector into the other end of the hose with the spring. After you have connected the hose to the connector, tighten the spring to the end of the hose with a twisting motion.
7. Insert the connector with the hose into the port of the hookah base.



PLEASE NOTE!

- Do not apply any force when connecting the parts! All threaded joints in your hookah are tested at the factory - they must fit together smoothly. Make sure that the parts are aligned correctly before tightening. If parts don't fit, even if they are precisely aligned, contact our customer service.
- Before using the hookah for the first time, wash it under running water and make sure that there are no metal chips inside the components.
- Make sure that the ports in the base are screwed all the way in.



Operating tips

- After each use wash the hookah with clean running water and wipe it dry with a soft cloth.
- Test the reaction of the metal on a small discreet area before using alkaline and acidic cleaning agents.
- Do not use abrasive detergents to clean the hookah.
- Do not wash the rubber parts of the hookah in the dishwasher.
- Do not place coals on the tray so that they are close to the bowl stem, as the sealing may be melted by the heat.
- Do not leave coals on the saucer for a long time after using the hookah. Some coals emit large amounts of carbon monoxide during the smouldering period, so if low quality coals are used and they are exposed to the metal for long periods of time, stains may remain on the surface of the tray.

For long-term operation of the magnets:

- Once a week/month (depending on intensity of use) disassemble the ports, remove the magnets, wash the parts and be sure to dry them before reassembly.
- Do not remove the magnets unnecessarily.
- Do not allow strong impact on the magnets to avoid cracking.
- Do not scratch the magnets with sharp objects.
- Wash the ports one by one. For long-term operation of the threaded connections:
- Once a week/month (depending on the intensity of use), completely disassemble the hookah, wash all threaded connections and be sure to dry them before reassembling.

To maintain the integrity of the hose:

- Do not detach the hose from the mouth tip and connector unnecessarily.
- Put the hose gently onto the mouth tip to prevent the hose from cracking.
- Do not intentionally bend the hose.
- Do not leave the hose in direct sunlight to prevent the silicone from melting.

All hoses are consumables. The porous silicone can become clogged and absorb odors, so for a more comfortable smoking experience we recommend replacing the hose every six months/year depending on the intensity of use.



Warranty

- The warranty period for the Mini S model is 5 years.
- The warranty does not cover mechanical damage or natural wear and tear.
- Delivery is provided at the manufacturer's expense to the carrier nearest to you, provided that a warranty claim has been acknowledged.
- To submit a warranty claim, contact the technical support at mattpear.co or email support@mattpear.co.
- The warranty period starts from the date of purchasing the product only if the seller has filled in the relevant fields of the warranty certificate.
- Otherwise the warranty period starts from the date of assembly indicated by the manufacturer.
- Complaints regarding missing parts of the hookah are accepted within 14 days from the date of purchase.



Our accessories that
you may find useful



Killer M

molasses catcher



Persona

Individual mouth tip



Kolodka

heat management device

Thank you for your trust in our products -
it means a lot to us!

Let us know if you need anything!

+7 (861) 205-10-95 | hello@mattpear.store | mattpear.store | [@mattpear.store](https://www.instagram.com/mattpear.store)